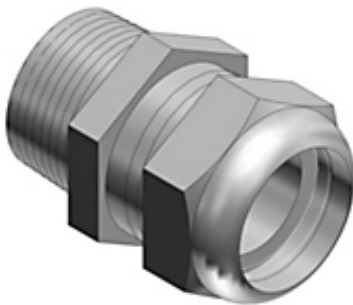




Actual



Representative

Catalog Number: 2940SST
Product ID: 7TAD105340R0007
UPC Number: 78620987800
EAN Number: 05415022460995
Status: A

Liquidtight Strain Relief Connector, 1 Inch NPT Threads, Straight, Cord Range 0.310 to 0.560 Inch, 304 Stainless Steel Body with Rubber Bushing

- Type 304 stainless steel construction for your harshest environments
- Ranger liquidtight cord connectors offer twice the cord diameter range of similar connectors, so you can do more with fewer sizes to order and stock.
- Ranger connectors form a non-slip mechanical grip, providing a liquidtight seal and the strain relief required for flexible portable cord connections.
- Superior corrosion resistance in wash down areas and other corrosive environments.
- Stands up to heat and UV exposure better than non-metallic connectors.
- Beveled, moisture and oil-resistant synthetic rubber bushing system ensures superior compression and sealing of fitting to cord.
- Bushing marked with cord range for easy identification out of box.
- Ideal for MRO and OEM applications in corrosive environments such as food & beverage and pharmaceutical processing wash down area.
- Pulp and paper mills, wastewater treatment, saltwater applications and petrochemical refining.

North American Specifications (UNSPSC)

UNSPSC	39121431 Cable gland connector
IGCC	4601 Cable gland connector
Type	Cord Connectors-Straight
Special Features	Type 304 Stainless Steel Construction for Your Harshest Environments
Application	Ideal for MRO and OEM Applications In Corrosive Environments Such As Food & Beverage and Pharmaceutical Processing Wash Down Area.
Standard	UL E13938, CSA
Size	1 Inch
Conductor Range	0.310 to 0.560 Inch
Material	Stainless Steel
Color	Metallic

European Specifications (ETIM)

ETIM	EC000441 Cable screw gland
Thread type	NPT
Nominal thread size inch/gas pipe thread	1 inch
Suitable for cable diameter	7.874-14.224mm
Material	Metal
Material quality	Stainless steel V2A
Colour	Natural colour
Model	Straight

Packaging

Inner Quantity	10
Inner Dimensions (inches)	6x4.5x3
Outer Quantity	50
Outer Dimensions (inches)	21x5x7
Weight Uom	42.5 lbs. per 100



Documents / Support Tools

Technical Drawing / Data Sheet	TDS000054
Support/Tools	Available on Website

Header

3D Model	Available on Website
----------	----------------------